

# Adams

## Spring Greasers and Cups

## Graisseurs Automatiques et Graisseurs à Réserve

## Schmierbuchsen und Staufferbuchsen



### Spring Greasers and Cups

Two types of spring operated greasers are offered for greasing in areas where it is difficult to access or where constant pressure is required. The plexiglas model has a reservoir capacity of 50 cc and the steel model 80 cc. A range of grease cups is also available.

### Graisseurs Automatiques et Graisseurs à Réserve

Deux types de graisseurs automatiques à ressort sont proposés pour le graissage des organes difficiles d'accès ou nécessitant une pression constante. Le modèle en plexiglas a une capacité de 50 cm<sup>3</sup>, le modèle en acier a une capacité de 80 cm<sup>3</sup>. Une gamme complète de graisseurs à réserve est également disponible.

### Schmierbuchsen & Staufferbuchsen

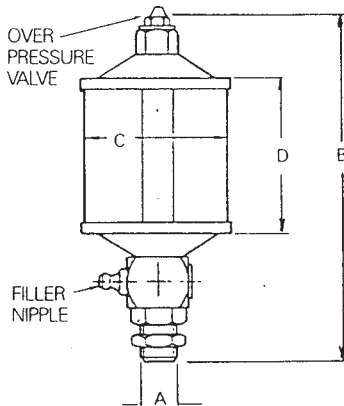
2 Typen von Federschmierbuchsen gewährleisten Schmierung mit konstantem Fettdruck auch an unzugänglichen Stellen. Der Typ aus Plexiglas hat einen Inhalt von 50 ccm, die Stahlausführung hat 80 ccm. Außerdem steht eine Baureihe sog. "Staufferbüchsen" zur Verfügung.

## SPRING GREASERS - PLEXIGLAS RESERVOIR

	Dimensions
A	= 1/8", 1/4" or 3/8" BSP
B	= 125mm
C	= 50mm
D	= 55mm

Capacity = 50cc  
 Material = Steel and Brass  
 = Nitrile Rubber Seals  
 = Plexiglas Reservoir

Maximum Working temperature 60°C



### FEATURES

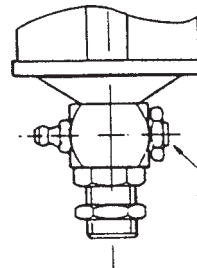
Re-fillable via grease nipple.  
 Visual level indication

Suitable for use with greases which do not separate under pressure



## FIXED FLOW RATE

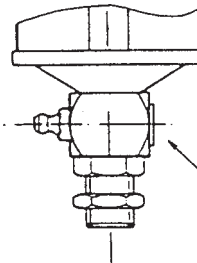
No	Thread	Capacity
SBK 1501	1/8" BSP	50cc
SBK 2501	1/4" BSP	
SBK 3501	3/8" BSP	



FIXED FLOW

## ADJUSTABLE FLOW RATE

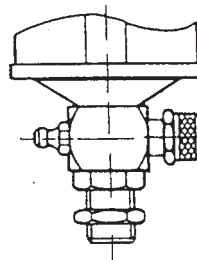
No	Thread	Capacity
SBK 1502	1/8" BSP	50cc
SBK 2502	1/4" BSP	
SBK 3502	3/8" BSP	



FLOW ADJUSTMENT

## ADJUSTABLE FLOW RATE AND ON/OFF

No	Thread	Capacity
SBK 1503	1/8" BSP	50cc
SBK 2503	1/4" BSP	
SBK 3503	3/8" BSP	



FLOW ADJUSTMENT WITH ON/OFF

## SPRING GREASERS - STEEL RESERVOIR

	Dimensions	
A	=	60mm
B	=	95mm
C	=	130mm

Capacity = 80cc  
 Material = Steel Body  
 = Fibre Seals  
 Finish = Zinc Plated

Operating temperature - 25°C to + 100°C

Suitable for use with greases which do not separate under pressure



## STANDARD SPRING PRESSURE (RED CAP)

Mounted directly to lubrication point.  
 Suitable for use with light grease

Product Code	Thread	Capacity	Spring Force
SGS 280	1/4" BSP	80cc	3 kg
SGSN 280	1/4" NPT		

## MEDIUM SPRING PRESSURE (BLACK CAP)

Mounted directly to lubrication point.  
 or up to 30mm of large bore pipe.

Product Code	Thread	Capacity	Spring Force
SGS 280/M	1/4" BSP	80cc	5 kg
SGSN 280/M	1/4" NPT		

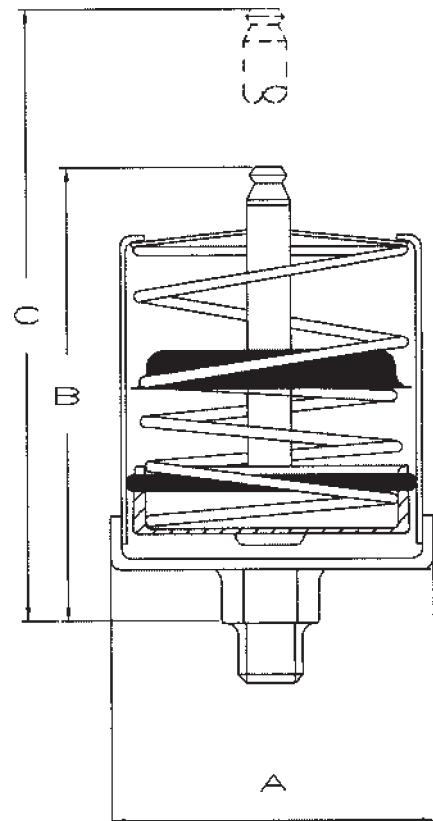
## STRONG SPRING PRESSURE (YELLOW CAP)

Suitable for use with large bore pipe up to 50mm

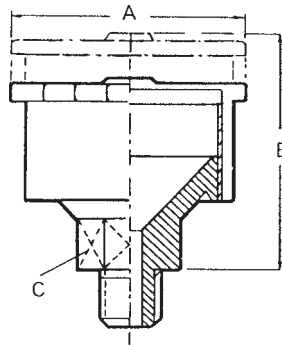
Product Code	Thread	Capacity	Spring Force
SGS 280/S	1/4" BSP	80cc	8 kg
SGSN 280/S	1/4" NPT		

### FEATURES

- Re-fillable via grease nipple.
- Can be mounted in any position.
- Level indicator rod.
- No maintenance required.
- Constant lubrication pressure



## GREASE CUPS - PRESSED STEEL AND BRASS



Material BLUE STEEL	Material NATURAL BRASS	Thread	A mm	B mm	C A/F	Capacity
GCR 11	BGCR 11	1/8" BSP	19	31	12mm	4.5 cc
GCR 21	BGCR 21	1/8" BSP	25	40	17mm	7 cc
GCR 22	BGCR 22	1/4" BSP				
GCR 31	BGCR 31	1/8" BSP	34	40	17mm	14 cc
GCR 32	BGCR 32	1/4" BSP				
GCR 41	BGCR 41	1/8" BSP	40	45	17mm	30 cc
GCR 42	BGCR 42	1/4" BSP				
GCR 52	BGCR 52	1/4" BSP	52	45	17mm	53 cc
GCR 62	BGCR 62	1/4" BSP	60	50	17mm	88 cc
GCR 73	BGCR 73	3/8" BSP	70	55	19mm	128 cc
GCR 83	BGCR 83	3/8" BSP	84	57	19mm	200 cc